



FRP STORAGE TANKS



SIRIM

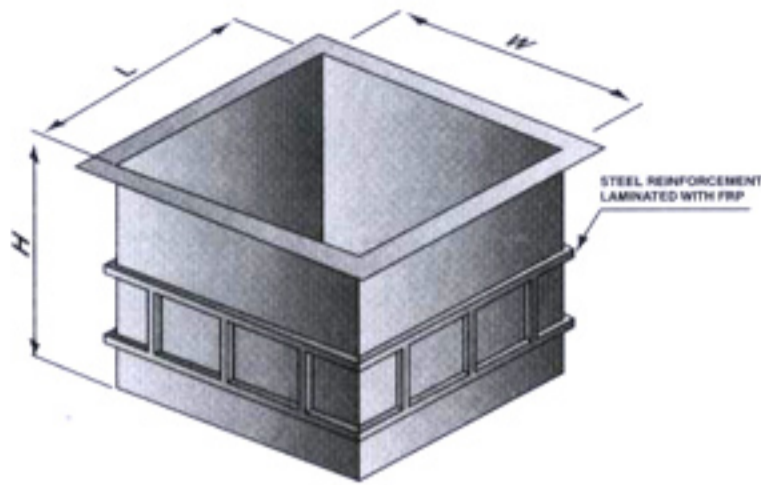
CERTIFIED TO MS 1241 : 1991

No Sijil: PG010401

No Sijil: LG010401

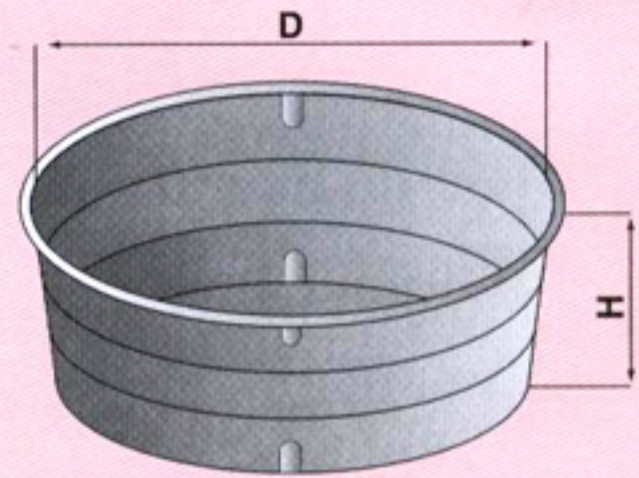
FRP WATER STORAGE TANKS (OPEN TOP)

ROUND & SQUARE DESIGNS



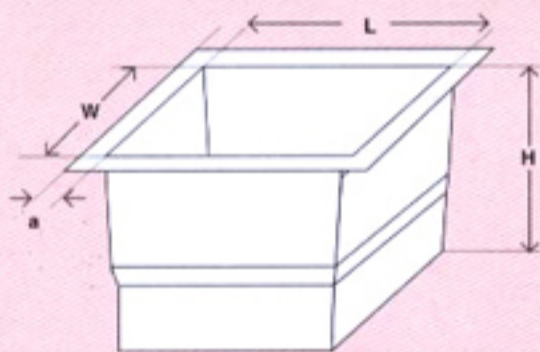
SQUARE TANK

CAPACITY		MODEL	INTERNAL DIMENSION			THICKNESS
Gallons	Litres		L	W	H	
220	1000	MT-220	1M	1M	1M	4mm
440	2000	MT-440	2M	1M	1M	4mm
880	4000	MT-880	2M	2M	1M	6mm

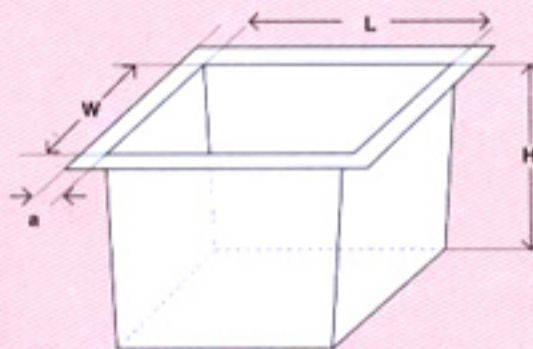


CIRCULAR TANK

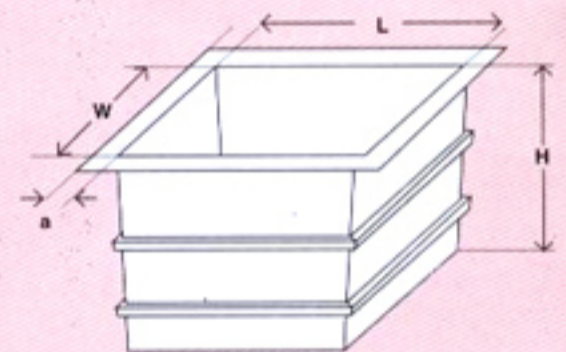
CAPACITY		MODEL	INTERNAL DIMENSION (D x H)		THICKNESS
Gallons	Litres		D	H	
220	1270	MT-220/C	1.35M	1M	4mm
440	2000	MT-440/C	1.70M	1M	4mm
660	3000	MT-660/C	2.00M	1M	5mm
880	4000	MT-880/C	2.32M	1M	6mm



For MTD Model



For MT60 to 100 Model



For MT250 to 400 Model

CAPACITY		MODEL	INTERNAL DIMENSION		
Gallons	Litres		Length	Width	Height
60	270	MT-60	29"	29"	20"
80	360	MT-80	39"	31"	20"
100	450	MT-100	38"	32"	23"
150	680	MTD-150	48"	36"	24"
200	910	MTD-200	48"	48"	24"
250	1140	MTD-250	60"	48"	24"
250	1140	MT-250	48"	48"	30"
300	1360	MT-300	51"	51"	32"
400	1820	MT-400	48"	48"	48"

CHEMICAL & WATER TANK (CLOSED TOP)

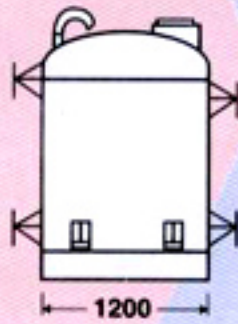
CAPACITY: 1000 to 50,000 Litres

SIZE: \varnothing 1200 X VARIES (HT)

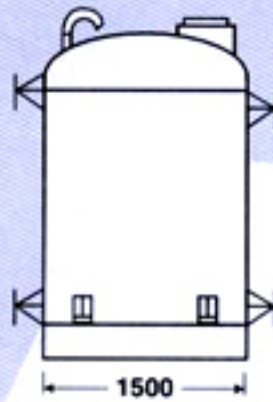
SIZE: \varnothing 1500 X VARIES (HT)

SIZE: \varnothing 2000 X VARIES (HT)

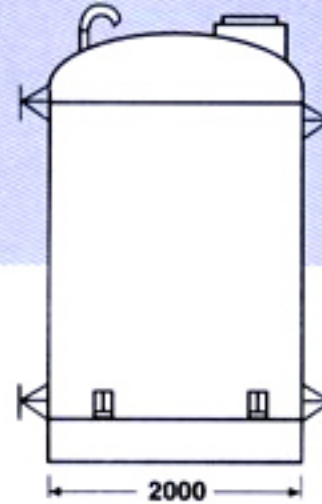
SIZE: \varnothing 3000 X VARIES (HT)



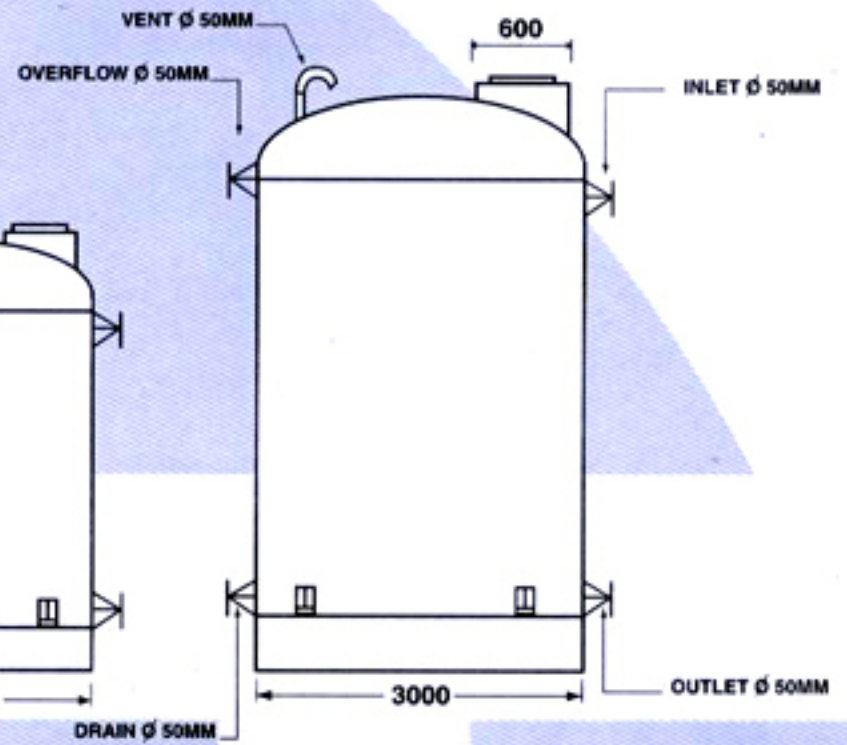
1200



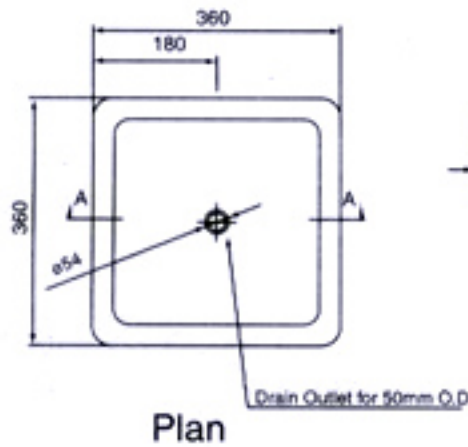
1500



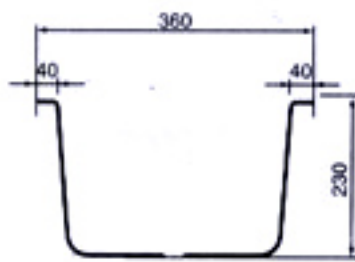
2000



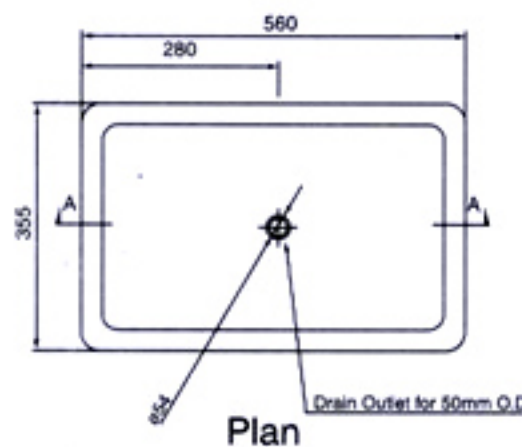
FRP LABORATORY SINK



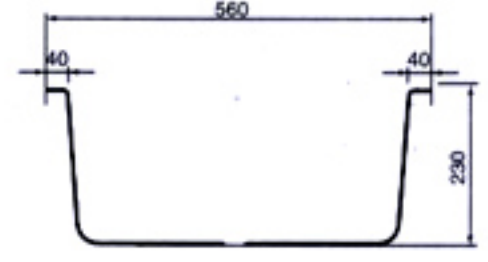
Plan



Section A-A

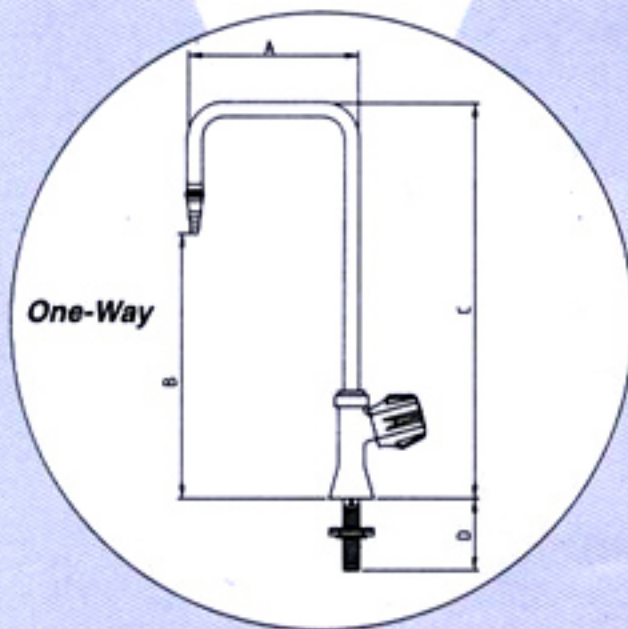


Plan

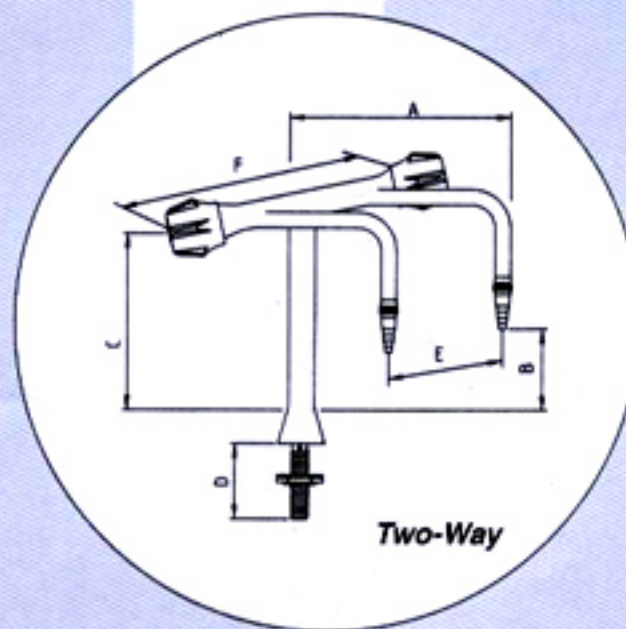


Section A-A

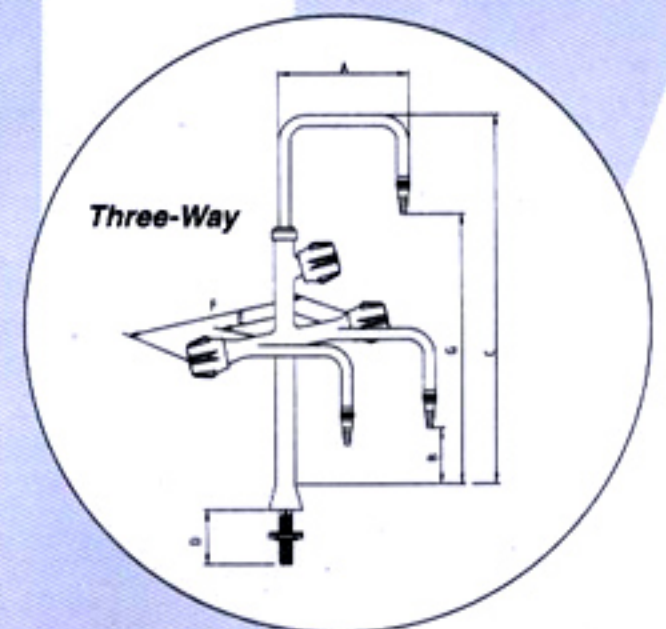
LABORATORY TAPS



One-Way



Two-Way

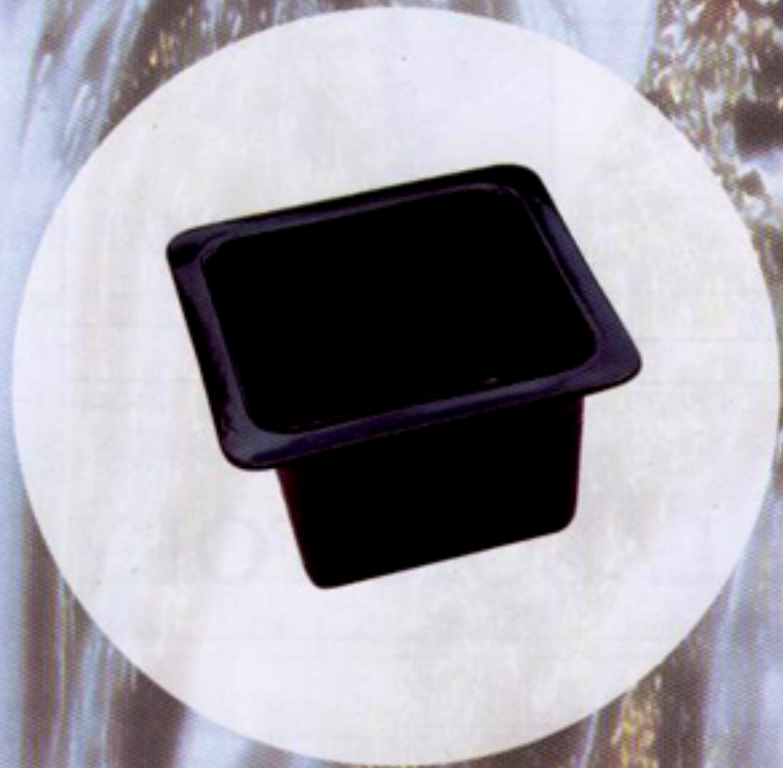


Three-Way

BELL LABORATORY TAP								
Model	Dimension	A	B	C	D	E	F	G
One-Way		155	250	360	65	-	-	-
Two-Way		180	100	205	65	140	285	-
Three-Way		155	100	470	65	140	285	370



FRP LABORATORY SINK



BELL - LABORATORY TAPS

